

## Chest Freezer Solid Top Chest Freezer 52 " Long

ITEM # \_\_\_\_\_

MODEL # \_\_\_\_\_

NAME # \_\_\_\_\_

SIS # \_\_\_\_\_

AIA # \_\_\_\_\_



738230 (KCCF140WH)

Solid Top Chest Freezer 52  
" Long

### Short Form Specification

Item No. \_\_\_\_\_

Solid top chest freezer, 52 inches long, with foamed lid and soft closing mechanism to ensure gentle lid closure. Internal and external structure in white painted steel. Basket, vertical basket divider, NSF thermometer and lock included as standard. Defrost water drain with plug for easy cleaning.

R600a gas in refrigeration circuit.

The temperature range is -15° to 10°F.

ETL safety and sanitation listed for US and Canada.

Equipped with NEMA 5-15P plug.

### Main Features

- Temperature range of -15 to +10 F°
- Mechanical control panel with adjustable temperature
- Included as standard 1 NSF® certified temperature gauge and 1 basket (including one vertical divider) durable and reliable for safety in food storage
- Removable rubber bumper guards
- Bottom drain with plug for easy interior cleaning and defrost water discharge.

### Construction

- Foamed lid for best insulation and product robustness
- Soft closing lid mechanism
- Static condenser
- Exterior and Interior finish in white painted steel
- Locking lids and key protect the contents of the unit
- Mounted on heavy-duty casters, two locking to keep unit in place but allows position adjusting.

### Sustainability

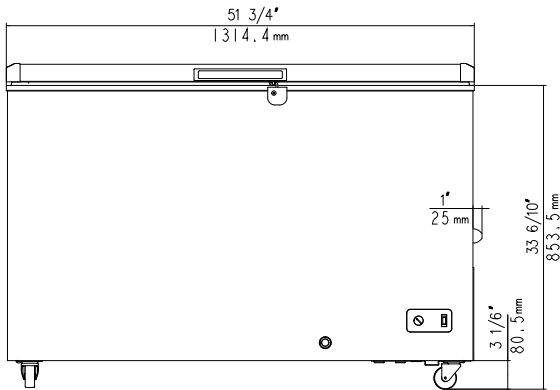
- High efficiency components to minimize the energy consumption still guaranteeing the highest performances.
- CFC and HCFC free (ecological refrigerant type: R600a).

### Optional Accessories

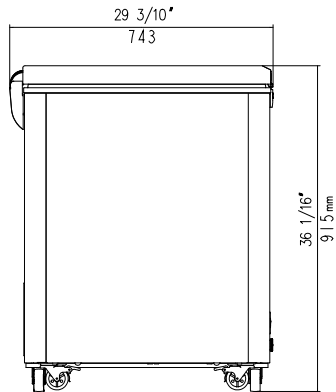
- Basket for Solid Top Chest Freezer PNC 882000   
22.63x8.15x7.52 in. (575x207x191 mm)

APPROVAL: \_\_\_\_\_

## Front

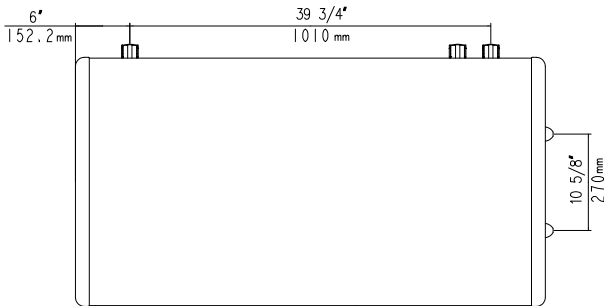


## Side



EI = Electrical connection

## Top



## Electric

### Supply voltage:

738230 (KCCF140WH) 115 V/1 ph/60 Hz

### Electrical power, max:

0.2 kW

### Plug type:

USA NEMA 5-15P

## Capacity:

Gross capacity: 14.3 cu.feet

## Key Information:

|                                |  |
|--------------------------------|--|
| External dimensions, Width:    | 51 3/4" (1314 mm)                            |
| External dimensions, Depth:    | 29 1/4" (743 mm)                             |
| External dimensions, Height:   | 36 1/32" (915 mm)                            |
| Condenser type:                | Static                                       |
| Freezer baskets (Number/Type): | 1 / Wire                                     |
| Control                        | Mechanical                                   |
| Warranty                       | 1/5 Years                                    |
| Internal Dimensions (depth):   | 21 5/8" (550 mm)                             |
| Internal Dimensions (width):   | 46 1/16" (1170 mm)                           |
| Net weight:                    | 150 lbs (68 kg)                              |
| Shipping width:                | 30 1/2" (775 mm)                             |
| Shipping height:               | 41 9/16" (1055 mm)                           |
| Shipping weight:               | 187 lbs (85 kg)                              |
| Shipping volume:               | 40.04 ft <sup>3</sup> (1.13 m <sup>3</sup> ) |

## Refrigeration Data

|                               |          |
|-------------------------------|----------|
| Temperature display location: | Internal |
| Compressor power:             | 1/5 hp   |
| Operating temperature min.:   | -14.8 °F |
| Operating temperature max.:   | 10.4 °F  |
| Defrost type:                 |          |

## Sustainability

|                      |          |
|----------------------|----------|
| Current consumption: | 1.9 Amps |
| Refrigerant type:    | R600a    |
| GWP Index:           | 3        |
| Refrigerant weight:  | 85 g     |



Chest Freezer  
Solid Top Chest Freezer 52" Long

The company reserves the right to make modifications to the products without prior notice. All information correct at time of printing.